

EP-6250-HC-UD/10~35, EP-6800-HA-UD/10~35

MV Turnkey Solution for 1500V Utility PV Plant

- More power generation**
- Inverter Max. efficiency 99%, Euro efficiency 98.7%
 - 1500Vdc PV system reduce power loss
 - High DC/AC ratio up to 1.8

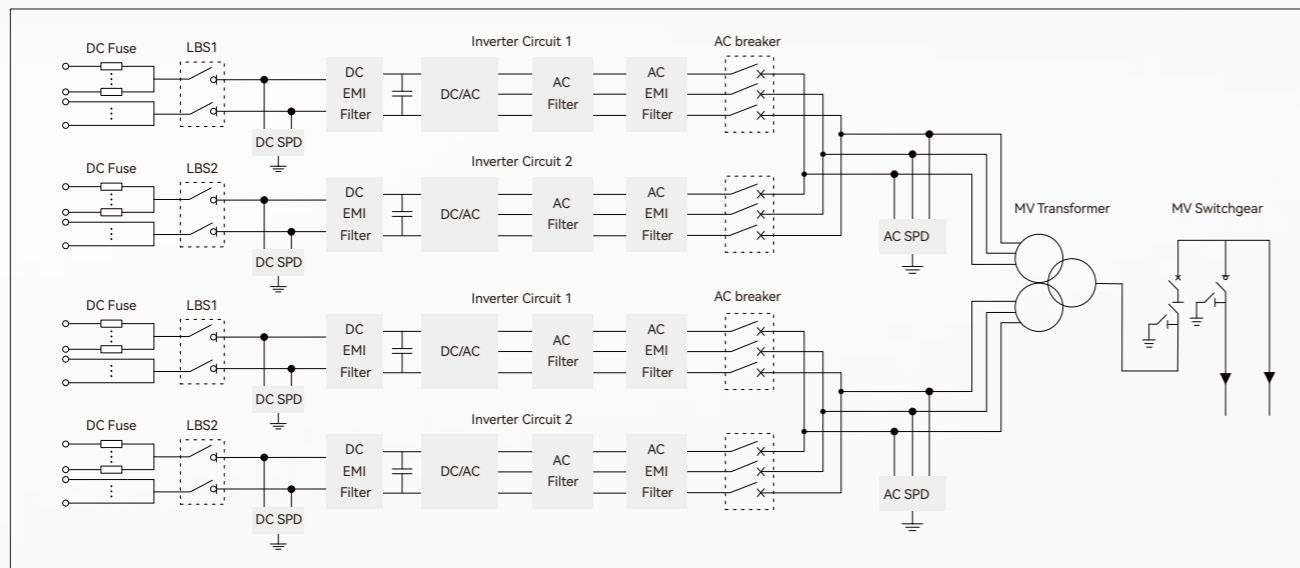
- Low system cost**
- Convenient for large block size PV plant
 - Integrated MV transformer and switchgear
 - Night SVG function optional

- High reliability**
- Capacitor life prediction technology
 - Key components at front side, easy for maintenance
 - Current sensor for each DC input, more reliable for monitoring and control

- Grid friendly**
- Adjustable reactive power
 - Low harmonics and fast response for grid regulation



Circuit Diagram



| Model | EP-6250-HC-UD/10~35 | EP-6800-HA-UD/10~35 |
|--|---|-------------------------------|
| Input (DC) | | |
| Max. PV input voltage | 1500V | |
| Max. input current | 4191A*2 | 4075A*2 |
| MPP voltage range for nominal power | 875~1300V | 900~1300V |
| Number of MPPT trackers | 4 | |
| Max. Number of DC inputs | 22*2 | |
| Output (AC) | | |
| AC output power | 2*3125kVA@50°C/2*3594kVA@25°C | 2*3400kVA@45°C/2*3594kVA@25°C |
| AC voltage range | 10~35kV | |
| Rated grid frequency/range | 50 Hz/45~55 Hz, 60Hz/55~65 Hz | |
| Output current harmonic (at nominal power) | <3% | |
| DC current injection | <0.5% I _n | |
| Power factor at nominal power/range | >0.99/0.8 lagging to 0.8 leading | |
| Protection | | |
| DC input protection | Load break switch+fuse | |
| AC output protection | Circuit breaker | |
| AC MV output protection | Circuit breaker | |
| Overvoltage protection | DC Type II/AC Type II | |
| Leakage current monitoring | Yes | |
| Grid monitoring/Ground fault monitoring | Yes/Yes | |
| Insulation monitoring | Yes | |
| Overheat protection | Yes | |
| Night SVG function | Optional | |
| Anti-PID function | Optional | |
| Efficiency | | |
| Inverter max. efficiency | 99.0% | |
| Inverter EU efficiency | 98.7% | |
| Transformer | | |
| Transformer rated power | 6250kVA | 6800kVA |
| Transformer max. power | 7188kVA | 7188kVA |
| LV/MV Voltage | 0.6-0.6/10~35kV | 0.63-0.63/10~35kV |
| Transformer Vector | Dy11y11 | |
| Transformer cooling type | ONAN (Oil Natural Air Natural) | |
| General Data | | |
| Auxiliary power supply | Standard: 5kVA, Optional: max. 40kVA | |
| Protection level | Inverter: IP65, Others: IP54 | |
| Temperature | -30 ~ + 60°C | |
| Allowed humidity (non condensing) | 0-95% | |
| Cooling method | Temperature controlled forced air cooling | |
| Max. operating altitude | 2000m (standard) />2000m (optional) | |
| Display | Touch screen | |
| Communication port | RS485/Ethernet, Optional: optical fiber | |
| Certificates and approvals (more available on request) | CE, IEC 62109, IEC 61727, IEC 61683, IEC 62116, IEC 60068, IEC61000, IEC60076, IEC62271 | |
| Dimensions (W×H×D) | 12192×2896×2438mm | |
| Weight | 28t | |